



LOOKBATH™

lookbath.com

CAST ACRYLIC SHOWER BASE INSTALLATION INSTRUCTIONS & OWNER'S MANUAL

*Carefully read all instructions before starting the installation.
Consult building and plumbing codes to ensure the installation
complies with local standards.*

OWNER'S MANUAL

**For all Installation & product related questions
please contact LOOKBath™ Customer Support at:
778-284-8429**

Because life is too short for boring bathrooms.

LOOKBath Corporation

1441 Kebet Way,
Port Coquitlam, BC,
CANADA V3C 6L3

T 778-284-8429
F 888-742-5132

Figure 1: ACRYLIC SHOWER BASE CENTRE DRAIN
 3 Side Alcove Flange Installation - LSB4836, LSB6036,
 LSB4242, LSB3636, LSB6042, LSB4236, LSB3634, LSB3632.

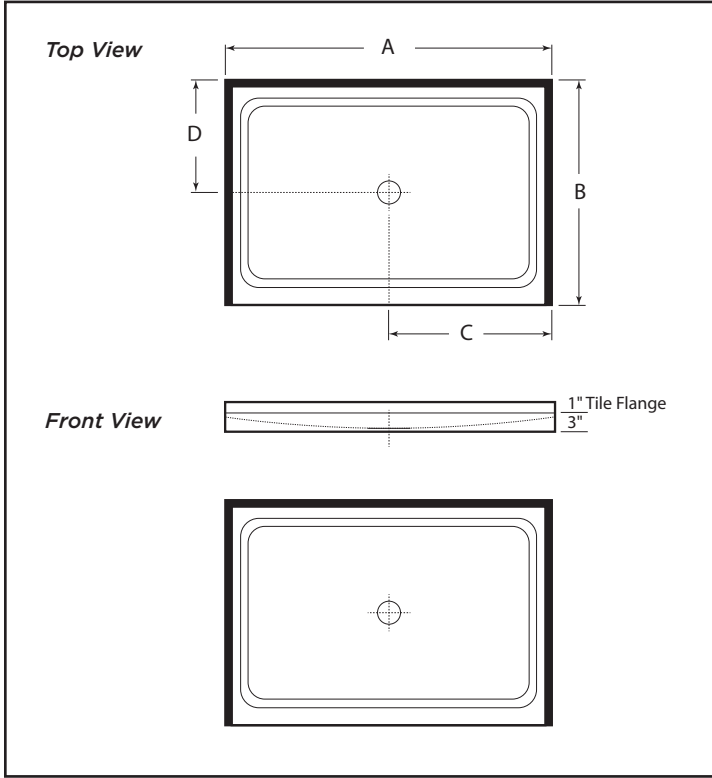


Figure 4: RECTANGULAR SHOWER BASE - END DRAIN WITH BUILT IN 1" TILE FLANGE ON 3 SIDES LSB6030, LSB6032
 Right Drain, 3 Sided Alcove Left Drain, 3 Sided Alcove Flange

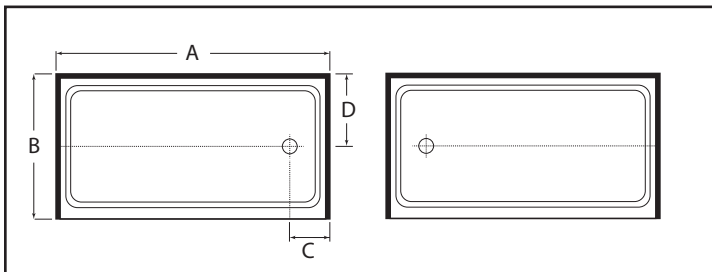


Figure 5:

	LSB 6030L		LSB 6030R		LSB 6032L		LSB 6032R	
	Inch	mm	Inch	mm	Inch	mm	Inch	mm
A	60	1524	60	1524	60	1524	60	1524
B	30	762	30	762	32	813	32	813
C	9.37	238	9.37	238	9.84	250	9.84	250
D	15	381	15	381	16	406	16	406
E	3	76	3	76	3	76	3	76

	LSB 4836		LSB 6036		LSB 3636	
	Inch	mm	Inch	mm	Inch	mm
A	48	1219	60	1524	36	914
B	36	914	36	914	36	914
C	24	610	30	762	18	457
D	18	547	17	457	18	457
E	3	76	3	76	3	76

	LSB 4242		LSB 4236		LSB 3634		LSB 3632		LSB 6042	
	Inch	mm	Inch	mm	Inch	mm	Inch	mm	Inch	mm
A	42	1067	42	1067	36	914	36	914	60	1524
B	42	1067	36	914	34	864	32	813	42	1067
C	21	533	21	533	18	457	18	457	30	762
D	21	533	18	457	17	432	16	406	21	533
E	3	76	3	76	3	76	3	76	3	76

ACRYLIC SHOWER BASE ROUGH IN FRAMING INSTALLATION OPTIONS:

Figure 2: ALCOVE INSTALLATION Center Drain - 3 Side Flange

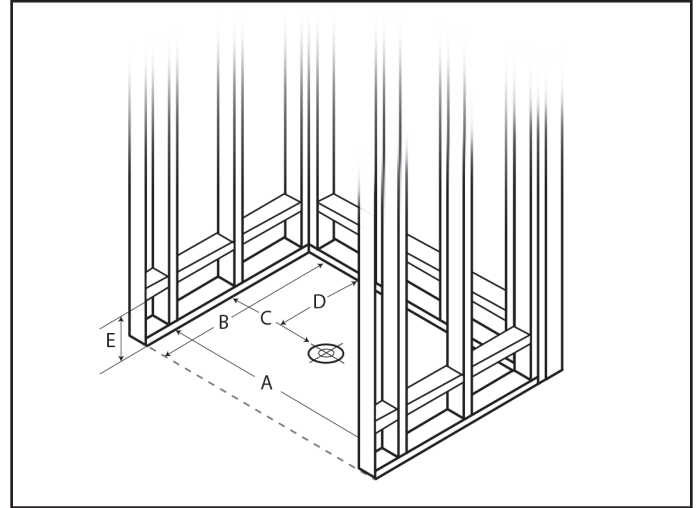
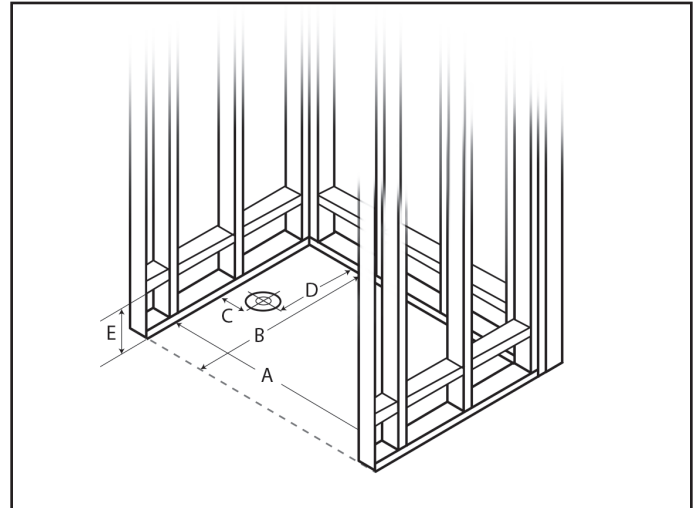


Figure 3: ALCOVE INSTALLATION End Drain - 3 Side Flange



IMPORTANT: The Cast acrylic shower base was carefully inspected and packaged for shipment. Please inspect your shower base before disposing the packaging or installing and if there are any concerns, contact your distributor. Damage to the unit is not considered a warranty and Lookbath does not cover damage caused by shipping once the product is delivered to the carrier in good condition.

Protect the shower base and fittings from dirt and damage by leaving the polyethylene protective film that is on the shower base in place until installation and other related construction is completed. It is recommended to use a piece of cardboard to lay the base on until you are ready to install the base.

NOTE: Remove the protective film around the flange during installation prior to drywall and tile application.

PREPARATION: Ensure the floor is level. Use wooden shims and leveling cement to level. If renovating, please remove all existing drywall before installing the new framing and plumbing. Outside walls need to be insulated and comply with all local building codes

Rough in the walls and drain for the installation of shower base as in the Figure 2 or 3. As all acrylic shower bases will have slight variances in size make sure you have the unit before framing. Refer to Tables 1, 4 and 5 for the dimensional reference. Use "E" - for the distance from the floor to the center of framing blocking to determine the height for the shower base flange installation. Before drilling a hole for the drain pipe, Check in the space below the base to make sure it is free of joists, electrical wires, ducts etc. Install appropriate plumbing drainage pipe and shower drain (provided by others).

Position and level the shower base in the alcove. To help leveling, help with soundproofing and provide Structural support, you can spread a layer of leveling cement and cover it with a 2mm sheet of polyethylene. Make sure it is thick enough but not too thick that it raises the base too high, then level the base. Wood shims can help keep the base level during drying.

Figure 7: FLANGE SCREW LOCATION

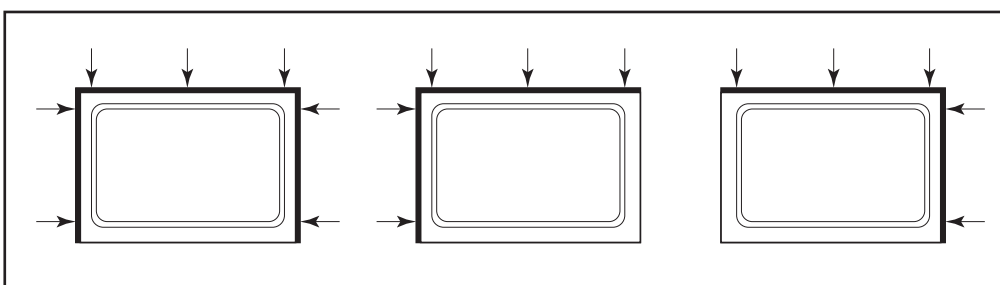
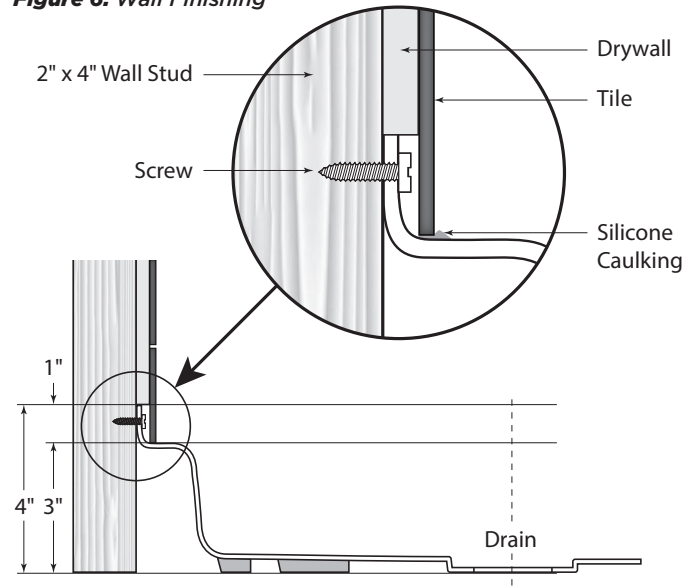


Figure 6: Wall Finishing



DO NOT WALK ON THE BASE UNTIL THE CEMENT IS DRY.

Fill the base with water and leave it for one hour to ensure that the adjustment of the drain-overflow assembly is correct, and that there are no leaks. Drain the Base and inspect to ensure the base is draining completely and the base is level. If not make adjustments and test again.

LookBath Corp. will not be liable for any kind of damages as a result of not water testing the unit prior to use by end user.

Fasten the flange of the base to the wall studs with #8 - 5/8" (16mm) or longer screws. First drill holes with a 3/16" drill bit through the tile flange. If required, use wood shims to hold the base in place while drilling. Use silicone to fill the holes before fastening the screws. Fasten the screws in the locations shown in Figure 7. Finish the wall as shown in Figure 6.

FINISHING

- Refer to Figure 6 for wall finishing.
- Apply trim around the shower base periphery to finish drywall, if required.
- Install Shower Door according to the manufacturer's instructions if purchased.

LOOKBath Corporation is not responsible for any damages incurred as a result of poor installation of the product.



INSTALLATION CLEAN-UP

Remove construction dirt and residue with a mild liquid detergent. DO NOT USE abrasive cleaners, scouring compounds and pads, metal scrapers, steel wool, or other materials that could damage or dull the surface of the shower base. Remove plaster carefully with a blunt wooden block having rounded edges.

Remove paint and other stubborn stains with isopropyl (rubbing) alcohol.

DO NOT USE products such as acetone (nail polish remover), dry cleaning solution, lacquer thinners, gasoline, pine oil, etc. as they will damage the surface.

LOOKBath Corp. is not responsible for any damages incurred as a result of poor installation of the product.

MAINTENANCE

The cast acrylic sheet, which forms the surface of your shower base, provides one of the most durable surfaces found in today's bathrooms. Keep it bright and free of damage with mild liquid household detergent, soap and water, or foaming cleansers. NEVER USE aromatic solvents, abrasive cleaners, scouring compounds or pads, strong liquid cleansers, or other material that could damage or dull the surface of the bath.

Minor Repairs to Surface - Remove minor scratches and scuffs as follows. First, wet sand the area with 600 grit wet sandpaper until the surface is smooth. Then, restore the gloss as described under RESTORING SURFACE GLOSS.

Restoring Surface Gloss - Restore surface gloss by applying a very fine rubbing compound and polishing the surface by hand or with a power buffer. Finish with an application of a good quality automotive wax.

We want you to be completely satisfied with our products and service.

If you have any comments or suggestions or concerns,

*please call: **778-284-8429***